



# S26

## 2,600 lb. Walkie Straddle Stacker

### CAPACITY

2,600 lbs. at 24" load center with no derate up to 126".

### BATTERY

24V 105Ah Li-Ion battery capable of fast charging in less than 3 hours without the need for regular maintenance or facility infrastructure such as eye wash stations or charging ventilation.

### SPEED

- Travel - 2.8 mph empty / 2.5 mph loaded
- Lift - Up to 47 fpm empty / Up to 29 fpm loaded
- Lowering - Up to 41 fpm empty / Up to 39 fpm loaded

### TIRES

Drive - 8.5" x 3" polyurethane  
Stability - 4" x 2" polyurethane  
Dual Load - (2) 5" x 2" polyurethane

### HYDRAULICS

Lift cylinder provides smooth lifting and lowering. Pump unit includes premium 3kW, solenoid-fired DC motor and reservoir.

### DRIVE

24 Volt, 3 kW DC drive motor delivers high torque and efficiency to extend duty cycle.

### ELECTRICAL

24V Curtis travel control provides high performance throughout the entire speed range. Travel speed remains constant relative to throttle position, regardless of load. Separately fused power control circuits, quick disconnect EPD power cut-off and control head mounted hour meter/battery discharge indicator with Bluetooth connectivity via phone app.

### OPERATOR CONTROLS

Offset steer arm provides excellent line of sight for operators and allows them to easily walk astride the vehicle during travel. The offset design also allows the vehicle to comfortably right-angle stack standard pallets in aisles under seven feet wide. Travel, lift and lower functions are located in the



ergonomic operator handle. All operator controls are accessible without having to remove hand from the handle.

Angle grips are designed to allow easy operation with either hand. Wrap-around guard, storage compartment with USB port, reversing switch, thumb control, and horn are standard. Low-mounted steer arm offers excellent operator comfort and minimum steering effort.

### CHASSIS AND MAST

Heavy-duty, welded steel chassis and I-beam channel mast for added durability and service life. Class II ITA 16" x 32" adjustable carriage comes standard with 42" x 4" x 1.6" forks and a 36" load backrest.

Telescoping mast includes a plexiglass mast guard and provides a 124" maximum fork elevation with dual cylinders. Mast also features standard electronic lift limit switch, soft landing forks and automatic speed reduction when lifting for maximum operating safety and perfect handling of fragile loads.

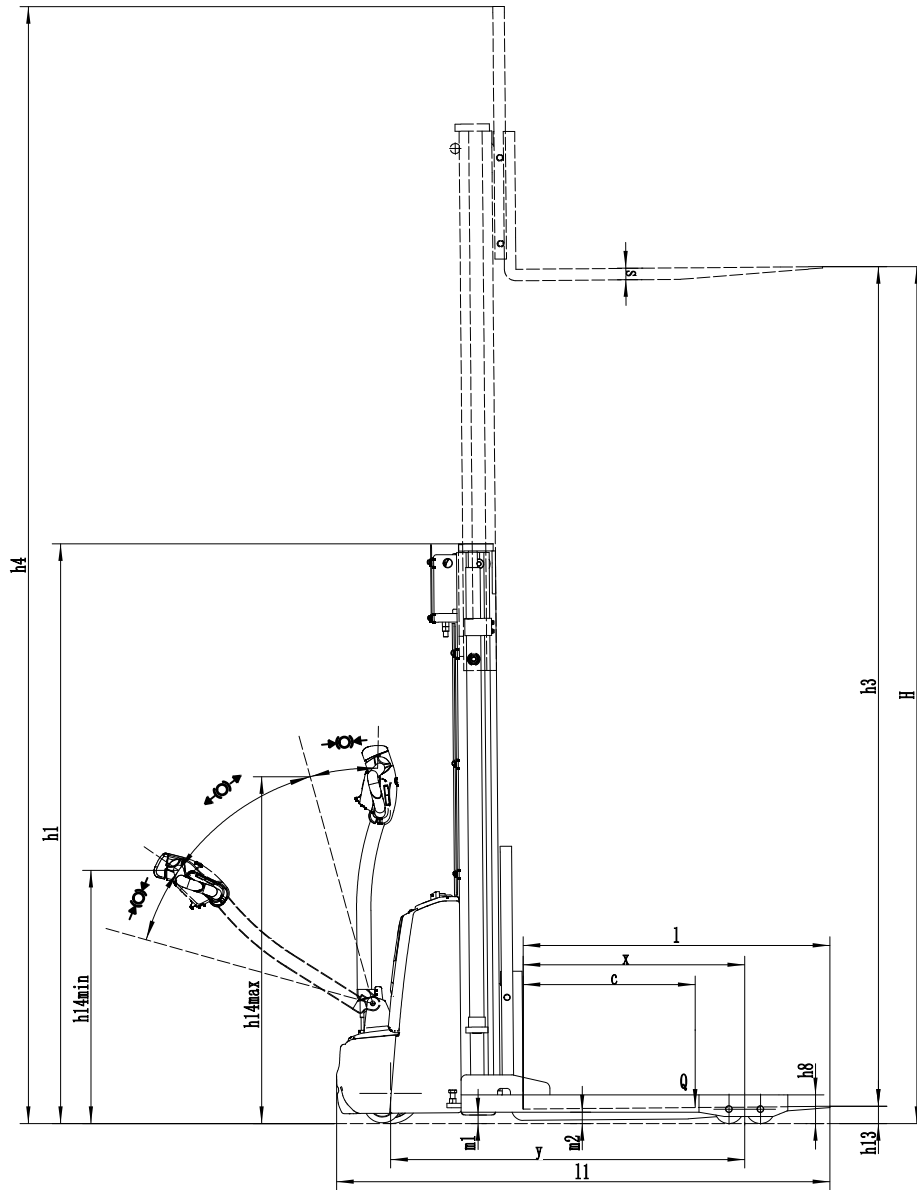
3.25" wide, adjustable straddle legs allow for configurations to fit various-sized pallets. Build in jackstand allows easy adjustment of straddle widths, which can be set from 39" to 48" in 3" increments. Unit features tandem load wheels with fully enclosed wheel guards, while flush mounted axles prevent wheel and axle damage.

### SERVICEABILITY

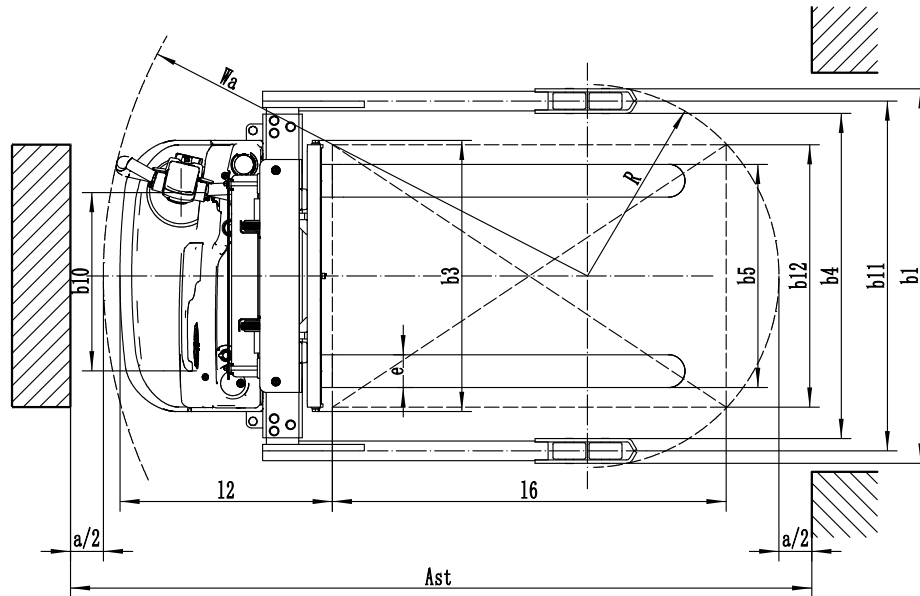
Removable, two piece power head cover allows for easy maintenance and access to all wheel components.

### OPTIONS

- 48" Forks
- Blue light - Forward
- Blue light - Rearward



Distinguishing mark	Manufacturer			Big Joe
	Model			S26
	Drive			Electric
	Load capacity	Q	lb.	2,600
	Load center distance	c	in.	24
	Load distance, center of drive axle to fork	x	in.	30.4
	Wheelbase	y	in.	48.6
Svc weight	Service weight			lb. 1808
	Axle loading, laden (front/rear)			lb. 1698 / 2756
	Axle loading, unladen (front/rear)			lb. 1323 / 485
Wheels/chassis	Wheel type			Polyurethane
	Wheel size, front			in. 8.5 x 3
	Wheel size, rear			in. 4 x 2
	Additional wheels			in. 5 x 2
	Wheels, number (front/rear) - x=drive wheels			1x, 1/4
	Tread width, front	b10	in.	21.4
Tread width, rear	b11	in.	42.1 / 45.1 / 48.1 / 51.1	



Dimensions	Max lift height	H	in.	149
	Retracted mast height	h1	in.	83
	Extended mast height	h4	in.	185
	Height of tiller handle in drive position (min / max)	h14	in.	30 / 45
	Height of base legs	h8	in.	4
	Lowered height	h13	in.	2.5
	Overall length	l1	in.	67.7
	Length to face of forks	l2	in.	25.6
	Overall width	b1/b2	in.	45.5 / 48.5 / 51.5 / 54.5
	Fork dimensions	s x e x l	in.	1.6 x 4 x 42
	Fork carriage width	b3	in.	32.5
	Fork spread	b5	in.	7.9 - 30.7
	Distance between base legs and loading surfaces	b4	in.	39 / 42 / 45 / 48
	Ground clearance, laden, below mast	m1	in.	1.2
Ground clearance, center of wheelbase	m2	in.	1.6	
Right angle stack (assumes 40" W x 48" D pallet)	Ast	in.	84.6" + Clearance	
Turning radius	Wa	in.	58	
Performance	Travel speed, laden/unladen		mph	2.5 / 2.8
	Lifting speed, laden/unladen		fpm	29.5 / 47.2
	Lowering speed, laden/unladen		fpm	39.4 / 41.3
	Max gradeability, laden/unladen		%	3 / 10
Electrical	Service brake			Electromagnetic
	Drive motor rating S2 60min		kW	0.7
	Lift motor rating at S3 15%		kW	3
	Battery voltage / nominal capacity		V/Ah	24/105
	Battery weight		lb.	135
Additional	Type of drive control			DC
	Steering design			Mechanical
	Sound pressure level at operator's ear		dB(A)	74
	Charger output current		A	30

Mast type	Lift height h3 + h13 (in)	Height, mast lowered h1 (in)	Free lift h2 (in)	Height, mast extended h4 (in)	Weight (lb)
2-Standard mast	106	73.8	-	142	1760
	124	83	-	142	1808
	149	97.5	-	185	1808

### Key Differences Between PDS25, S26 and S22

		PDS25	S26	S22
Lifting speed, laden / unladen	fpm	17.6 / 30.9	29.5 / 47.3	20 / 39
Lowering speed, laden / unladen	fpm	17.8 / 18.4	41.3 / 41.3	21 / 21
Travel speed, laden / unladen	mph	3.1 / 3.4	2.5 / 2.8	2.5 / 3.1
Drive motor rating S2 60 min	kW	1.1	0.7	0.7
Lift motor rating at S3 15%	kW	2.2	3	2.2
Max. gradeability, laden / unladen	%	8 / 16	3 / 10	3 / 10
Overall Length	in.	76.7	67.7	65.5
Service weight	lb.	2530	1808	1500
Battery	-	24V 210Ah lead	24V 105Ah Li-Ion	24V 85Ah lead
Visibility	-	-	Best	-
Traction	-	Best	Improved vs. S22	-
Drive tire position	-	Centered	Offset	Offset
Price	-	-	Huge savings vs. PDS25	Huge savings vs. PDS25



Learn more at [bigjoeforklifts.com](http://bigjoeforklifts.com)  
 630-916-2600  
[sales@bigjoeforklifts.com](mailto:sales@bigjoeforklifts.com)  
 749 Little Potato Way, Ste 400 DeForest, WI 53542

#### Certification

All units are built to be in compliance with ANSI B56.1 and the Occupational Safety & Health Act (OSHA). Big Lift LLC will not assume liability for injuries or damage arising from, or caused by, the removal of any safety devices from their vehicles by user. Because of the Big Lift LLC continuing product improvements, specifications are subject to change without notice.

© Copyright 2024, Big Lift LLC - Printed USA 053024