

LPE80-100

8,000-10,000 LB. CAPACITY

INTEGRATED LITHIUM-ION PNEUMATIC TIRE FORKLIFT



SPECIFICATIONS



BIG RETURNS WITH INTEGRATED LITHIUM-ION

Ready to stop spending money on fuel and expensive engine maintenance? The LPE80-100 series is equipped with Big Joe's purpose-built, integrated Lithium-ion battery, so operation is smooth, quiet and cost-effective. A single, brushless AC drive motor provides precise control. The long wheelbase and wide, pneumatic-shaped solid tires contribute to a stable ride. The LPE80-100 series is the ideal electric solution for light to moderate duty applications that need to move those larger loads. With standard onboard charging and over-the-air telematics, going electric with Big Joe is an easy choice.

FEATURES



Integrated Lithium: Power That Means Business

The UL-recognized Lithium-ion battery is designed and manufactured by Big Joe, in our state-of-the-art, automated facility to deliver the highest levels of quality, durability and reliability. The battery pairs seamlessly with the truck, requiring no additional displays, connection ports, power buttons or other complications. Simply buckle up, turn the key, release the parking brake and go.

Advanced Electrical System

Big Joe AC controller technology delivers high performance efficiently while significantly reducing maintenance costs and extending the vehicle's service life. The battery management system continuously monitors performance during operation and charging to optimize the battery's service life.

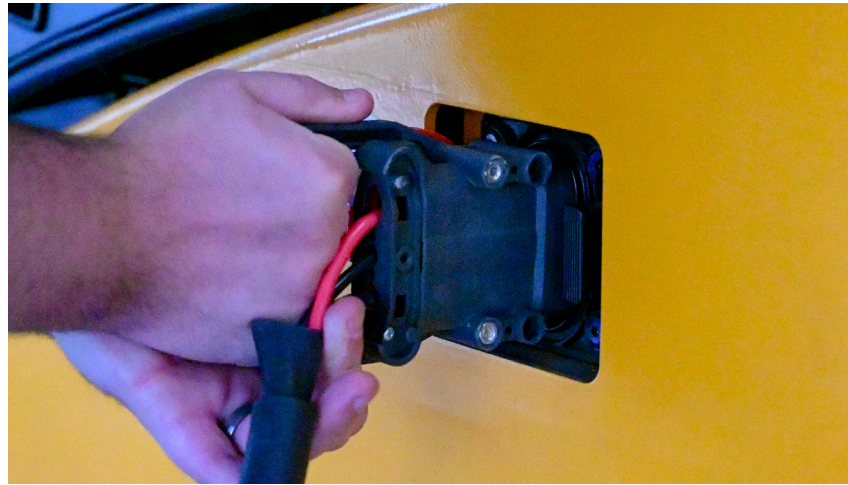
A Drivetrain for High Productivity and Low Operating Cost

The AC drive motor delivers fine inching control when precision matters, while also delivering high torque and smooth acceleration when it's time to get moving. Regenerative motor braking helps to reclaim energy, increasing run time and improving efficiency. Operators can appreciate the performance and lack of engine noise. Business owners can appreciate the lack of fuel costs and not needing to worry about unexpected—and expensive—engine breakdowns.

FEATURES

Charging Made Easy

Every LPE80-100 forklift comes standard with an onboard charger that plugs into a typical single-phase 120V or 240V wall outlet, allowing you to recharge almost anywhere. For operations that require faster charge rates, offboard chargers that conveniently connect to the truck's integrated charge port are available.



Smooth and Efficient Hydraulic Controls

Ergonomic controls are within easy reach of the operator and allow for smooth, precise load control. Energy efficiency is optimized since the hydraulic pump only activates when flow is needed and utilizes proportional control.

Remote Work Isn't Just for the Office

LPE80-100 comes standard with a digital LCD display that enables wireless programming and diagnostics via Bluetooth or the standard telematics system that includes cloud-based maintenance monitoring, GPS tracking and related data services. When maintenance is required, features like a gas-spring assisted hood, removable floor plates and covers, and a design philosophy centered on simplicity help make the technician's job easier.



RUN TIMES

Power to Get the Job Done

Run times in the tables below are provided as a guide and do not account for all factors that may affect run time. It is highly recommended to perform a power study to more accurately determine your battery size and charging needs. Big Joe forklifts with Lithium-ion batteries come standard with telematics that enable monitoring of truck run time, charge time, energy usages and many other data points. This information can help you to make the most of your equipment and drive down operating costs.

Tailored to Your Specific Needs

Based on experience helping customers electrify their fleets and take advantage of the benefits of integrated Lithium-ion, Big Joe has categorized applications into three main types to help estimate run time:

- Light Duty** Light duty applications, in terms of energy usage, account for a large portion of customer use cases. These are applications with level surfaces - where the truck typically handles 50% or less of its rated capacity.
- Medium Duty** Medium duty applications are very common and involve handling loads that typically exceed 50% of the truck's rated capacity. There may be occasional:
- Operation up and down ramps
 - Lifting to upper rack heights
 - Use of attachments such as fork positioners and multi-pallet handlers (i.e. single-doubles)
- Heavy Duty** Heavy duty applications are not as common and include frequent:
- Operation up and down ramps
 - Handling loads at or near the truck's capacity
 - Lifting to upper rack heights
 - Use of heavy duty attachments (clamps, rotators, push-pulls and turrets)

Stay Up and Running

The forklift's digital display includes a clear and easy-to-read battery indicator that shows the current state of charge. This helps operators to know exactly how much charge remains and remember to recharge as planned. Now, thanks to Big Joe's progressive warning system, the operator will be alerted should the battery state of charge fall too low. A lift interrupt and multiple levels of traction speed reduction help give the operator plenty of time to get to a charger without fear of over-discharging the battery.

LPE80 Run Time ¹			
Battery Capacity (kWh)	Application Intensity		
	Light Duty	Medium Duty	Heavy Duty
36.8	7h 30m	4h 30m	3h 15m
44.8	9h	5h 30m	4h

LPE100 Run Time ¹			
Battery Capacity (kWh)	Application Intensity		
	Light Duty	Medium Duty	Heavy Duty
36.8	7h 30m	4h 30m	3h 15m
44.8	9h	5h 30m	4h

1. Run times are provided for purposes of estimating battery and charger requirements and are not a guarantee. Run times are from fully-charged battery to lift interrupt. Actual run times vary widely based on truck duty cycle, ambient conditions and other factors. A product demo and/or power study are highly recommended.

CHARGE TIMES



Flexible Charging That Works for You

Thanks to the in-house design and expertise of Big Joe, the charger, battery and forklift work seamlessly together. Big Joe's UL-certified chargers automatically adjust power based on the state of the battery in order to minimize charge time while optimizing the battery's overall service life.

To help make charging easy, all Big Joe LPE80-100 models come standard with an onboard charger that can accept both 120VAC and 240VAC, single-phase input. Cables are included for both supply voltages. The onboard charger automatically identifies input voltage and charges the battery accordingly.

For faster charging, optional offboard chargers, also called "wall chargers," are available. Offboard chargers are typically hard-wired and are capable of faster charge rates. A power study is recommended in order to select the optimal battery and charger combination for your application's unique needs. For convenience, all LPE80-100 models include a charge port for offboard power, accessible without opening the hood or removing panels.

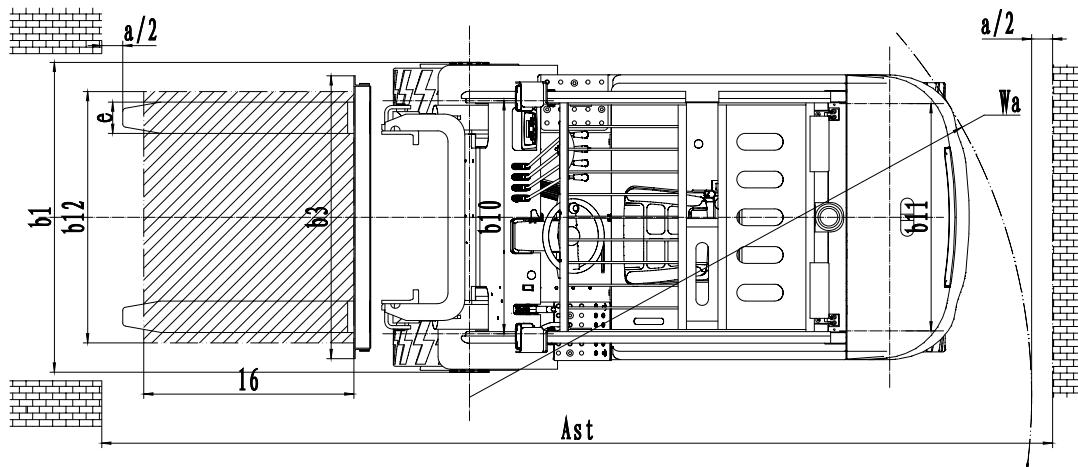
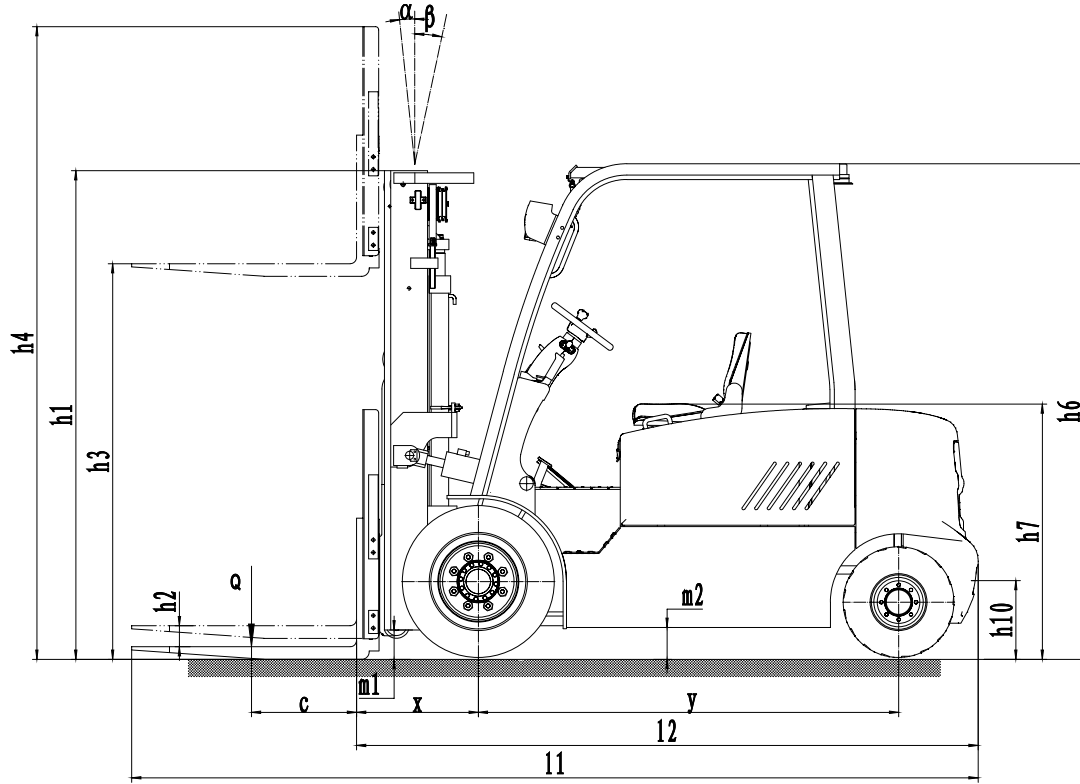
Regardless of which charger you pick, the design is plug and play. That means minimal operator training and input is needed to keep your operation running smoothly.

Charger Specifications										
Charger Output Power	kW	Onboard Charger			Offboard Three-Phase Chargers					
		1.2	/	2.8	8	16	8	16	8	16
Input Voltage	VAC	120	/	240	208/220/240		480		600 ¹	
Input Current	A	15	/	15	35	72	15	36	12	20
Output Current @ 80VDC	A	15	/	35	100	200	100	200	100	200
LPE80-100 Charge Time ²										
Battery Capacity (kWh)	36.8	26h	/	11h 15m	4h	2h	4h	2h	4h	2h
	44.8	31h 45m	/	13h 45m	4h 45m	2h 30m	4h 45m	2h 30m	4h 45m	2h 30m

1. Chargers with 600V input are for Canadian market only.

2. Charge times shown are estimates only and represent charging under ideal conditions and proper power supply to the charger. Charge times are based on recharging from lift interrupt to fully-charged.

DIAGRAMS



SPECIFICATIONS

Distinguishing mark	1.1	Manufacturer			Big Joe	
	1.2	Model designation			LPE80	LPE100
	1.3	Drive			Electric	
	1.4	Operator type			Seated	
	1.5	Load capacity	Q	lb.	8000	10000
	1.6	Load center distance	c	in.	24	
	1.8	Load distance, center of drive axle to fork	x	in.	21.6	
	1.9	Wheelbase	y	in.	78.7	
	Service weight	2.1	Service weight		lb.	17002
2.2		Axle loading, laden (front / rear)		lb.	22502 / 2502	25174 / 2513
2.3		Axle loading, unladen (front / rear)		lb.	8957 / 8004	9310 / 8356
Tires/chassis	3.1	Tire type			Pneumatic - shaped solid	
	3.2	Tire size, front			28x12.5-15	
	3.3	Tire size, rear			23x10-12	
	3.5	Wheels, number (front/rear) x=drive wheels			2x / 2	
	3.6	Tread width, front	b10	in.	43.8	49.7
	3.7	Tread width, rear	b11	in.	42.7	
	Dimensions	4.1	Tilt of mast/fork carriage forward/backward	α / β	°	6 / 6
4.2		Retracted mast height	h1	in.	91.0	
4.3		Free lift w/40.9 in. LBR	h2	in.	44.5	
4.4		Lift height	h3	in.	185	
4.5		Height, mast extended w/40.9 in. LBR	h4	in.	225.9	
4.7		Height of overheard guard (cabin)	h6	in.	92.6	
4.8		Seat height / standing height	h7	in.	47.6	
4.12		Tow coupling height	h10	in.	14.8	
4.20		Length to face of forks	l2	in.	116.5	120.4
4.21		Overall width	b1/b2	in.	61.0	
4.22		Fork dimensions	s x e x l	in.	2.2 x 6 x 48	
4.23		A, B fork carriage class / type A, B			3A	
4.24		Fork carriage width	b3	in.	49.2	
4.31		Ground clearance, laden, below mast	m1	in.	5.1	
4.32		Ground clearance, center of wheelbase	m2	in.	5.5	
4.34.1	Right angle stack aisle width ¹		in.	129.3	130.6	
4.35	Turning radius	Wa	in.	107.7	109.0	
Performance Data	5.1	Travel speed, laden/unladen		mph	8.7 / 9.0	
	5.2	Lifting speed, laden/unladen		fpm	51.0 / 88.5	
	5.3	Lowering speed, laden/unladen		fpm	100 / 84	
	5.8	Max gradeability, laden/unladen		%	14 / 15	
	5.10	Service brake			Hydraulic	
	5.11	Parking brake			Mechanical	
Electric	6.1	Drive motor rating S2 60min		kW	18	
	6.2	Lift motor rating at S3 15%		kW	25.4	
	6.4.1	Battery capacity ²		kWh	36.8	
	6.4	Battery voltage / nominal capacity ²		V/Ah	80/460	
Additional	10.1	Operating pressure for attachments		PSI	2750	
	10.2	Oil flow for attachments		gpm	5 - 8.5	
	10.5	Steering design			Hydraulic	

¹ Basic right angle stack (add load length and clearance)

² Alternate battery sizes available - see standard and optional equipment list

MAST SPECIFICATIONS

LPE80										
Mast Type	Overall Dimensions (in.) ¹								Rated Capacity (lb.) at 24" Load Center	
	Lift Height (Top of Forks)	Lowered Height	Extended Height			Free Lift Height			Carry Height	Max Fork Ht
			40.9" LBR	48" LBR	60" LBR	40.9" LBR	48" LBR	60" LBR		
3-Stage Full Free Lift	185	91	225.9	233.0	245.0	44.5	43.0	31.0	8000	6280
	197	97	237.9	245.0	257.0	50.4	48.9	36.9	8000	6060

LPE100										
Mast Type	Overall Dimensions (in.) ¹								Rated Capacity (lb.) at 24" Load Center	
	Lift Height (Top of Forks)	Lowered Height	Extended Height			Free Lift Height			Carry Height	Max Fork Ht
			40.9" LBR	48" LBR	60" LBR	40.9" LBR	48" LBR	60" LBR		
3-Stage Full Free Lift	185	91	225.9	233.0	245.0	44.5	43.0	31.0	10000	9000
	197	97	237.9	245.0	257.0	50.4	48.9	36.9	10000	8900

1. LBR = Load Backrest Extension, measured from top face of fork to top of LBR

STANDARD/OPTIONAL EQUIPMENT

- Standard
- Optional

Electrical System	80V electrical system	●
	Weather-resistant IPX4 rating, suitable for most outdoor use	●
	Brushless AC motor drive system w/regenerative braking	●
	Brushless AC hydraulic pump motor	●
	Transistor motor controllers with infinite speed control	●
	Corner speed control	●
Battery and Charging	UL-Recognized 36.8kWh (80V / 460 Ah) integrated lithium-ion battery	●
	44.8kWh (80V / 560 Ah) integrated lithium-ion battery	○
	Onboard 1.2kW / 2.8kW battery charger for use with 120V / 240V AC single-phase power (15A / 35A)	●
	320A DIN connector for offboard charging	●
	UL-Certified offboard 1.2kW / 2.8kW battery charger for use with 120V / 240V AC single-phase power (15A / 35A)	○
	UL-Certified offboard 8kW battery charger for use with 208V / 220V / 240V AC three-phase power (100A)	○
	UL-Certified offboard 8kW battery charger for use with 480V AC three-phase power (100A)	○
	UL-Certified offboard 16kW battery charger for use with 208V / 220V / 240V AC three-phase power (200A)	○
	UL-Certified offboard 16kW battery charger for use with 480V AC three-phase power (200A)	○
	Telemetry with over-the-air updating	●
Drive System	Dry drum service brakes	●
	Hand lever-activated parking brake	●
	Power-assisted steering	●
Wheels & Tires	Pneumatic-shaped solid tires	●
	Non-marking pneumatic-shaped solid tires	○
Front End Equipment	3-stage full free-lift mast	●
	Mast tilt: 6° forward 6° backward	●
	Hook type carriage	○
	Hook type integral sideshifting carriage	○
	Hook type carriage with hang-on sideshifter	○
	Hook type carriage with hang-on sideshifter and fork positioner	●
	48" hook type standard taper forks	●
	40.9" high load backrest	●
48" high load backrest	○	
60" high load backrest	○	

Hydraulics	3-way hydraulic control valve	○
	4-way hydraulic control valve	●
	1 auxiliary hose group	○
	2 auxiliary hose group	●
	2 auxiliary hose extension kit for use with attachments (assembly required)	○
	Quick-disconnect (Qty 2) kit for use with auxiliary hose extension kit	○
	Clamp interlock (required for installation of clamping attachments)	○
	2-way adjustable full-suspension vinyl seat	●
Operator Compartment	Entry assist grab handle	●
	Rear grab handle with integrated horn button	●
	Cup holder	●
	Digital LED display with Bluetooth service connectivity	●
	Steering wheel with integrated spinner knob	●
	12V accessory charging port	●
	Full steel cab with heater	○
Lights and Alarms	Full steel cab with heater and air conditioning	○
	LED light package (headlights, brake lights, turn signals)	●
	LED strobe light	●
	Rear-facing blue spot light	●
	Front-facing blue spot light	○
	Back-up alarm	●
	Self-adjusting back-up alarm	○
	Horn	●
Warranty	White noise sound generator (always on)	○
	Left and right red side curtain lights	○
	84 months / 12,000 hours - Integrated lithium-ion battery warranty	●
	36 months / 6,000 hours - Frame & powertrain warranty	●
	24 months / 4,000 hours - Full truck warranty	●



Established in 1951, Big Joe is a customer-driven North American material handling equipment company. We distribute innovative products for in-between-handling applications, purpose-built counterbalanced lithium forklifts, and market-leading autonomous solutions. Based in Madison, Wisconsin, we provide engineering expertise, customer service, aftermarket parts, and warranty support to our extensive dealer network and customers.



Certification: Big Joe lift trucks are built in compliance with ANSI B56.1 and OSHA section 1910.178(A)(2). Lift trucks specifications are subject to change without notice. Any specifications critical to the intended application of the forklift should be reviewed with your Big Joe dealer. Images may show optional equipment not available in all regions.



630-916-2600
sales@bigjoeforklifts.com
bigjoeforklifts.com

2025-03-13_V01