



RPL44

Rider Pallet Truck Low-profile

Compact chassis & power steering for nimble performance in tight areas. Low-profile forks for easy pallet entry and exit. Integrated lithium battery and charger



RPL44 shown with optional 48" load back rest and tool tray

CAPACITY

4,400 lbs.

BATTERY

Integrated 205AH lithium battery and 120vac charger. Support for optional external 240vac charger for greatly reduced charging times. SB175 connector

TRAVEL SPEED

24-volt AC ZAPI Travel Controller

Variable 0 mph up to 5.0 mph empty
Variable 0 mph up to 4.5 mph loaded

TIRES AND WHEELS

DRIVE tire

(1) 9" x 2.95" polyurethane

STABILITY casters

(2) 5.12" x 2.16" polyurethane

Dual LOAD Wheels

(4) 2.91" x 2.56" polyurethane

OPERATOR AREA & CONTROLS

The RPL44 end control rider pallet truck while very compact features **electronic power steering**, and a large standard operator's platform with microcellular rubber floor mat for enhanced ride comfort and productivity. The position of the control head and grab bar supports good ergonomics for most operator's with easy to use controls provided for travel, lift, lower and horn functions. Dual butterfly thumb controls for forward and reverse travel supports driver stances on the left or right side of the vehicle.

ELECTRICAL

Heavy-duty, 24-Volt AC system for demanding warehouse applications. The programmable ZAPI traction controller and matching drive motor provide high performance throughout the entire speed and torque range. Emergency power disconnect, hour meter and battery discharge indicator and key switch, and belly button reversing switch are provided as standard equipment.

The integrated lithium battery and battery management system communicate through the vehicle's CAN system to deliver optimal performance during operation, opportunity charging or full cycle charging operations.

HYDRAULICS

Heavy duty pump motor hydraulic reservoir, solenoid, and gear pump with center mounted lift cylinder. Integral pressure compensated flow control valve regulates lowering speeds.

DRIVE UNIT

Vertically mounted drive motor is directly mounted to gear housing. Oil bathed bevel gear drive train with tapered roller bearings transfers power to axle. State of the art optimized gear technology supplies advantages such as zero maintenance, low noise level, high efficiency and high performance.

Electromagnetic brake is mounted on motor armature shaft multiplying the braking power through the transmission. Brake is applied when control arm is in the vertical or lowered horizontal handle position. System features anti-roll back & neutral braking.

CASTER SYSTEM

Heavy duty spring loaded articulating system designed to maintain good truck performance and operator confidence during use.

LOW PROFILE FORK ASSEMBLY

Low profile forks with collapsed height under 3" and pallet entry rollers for easy pallet entry and exit. Split dual load wheels disperse heat while maintaining solid life expectancy.

Easily accessed grease zerks are provided on pivot points for ease of maintenance and to ensure long equipment service life.

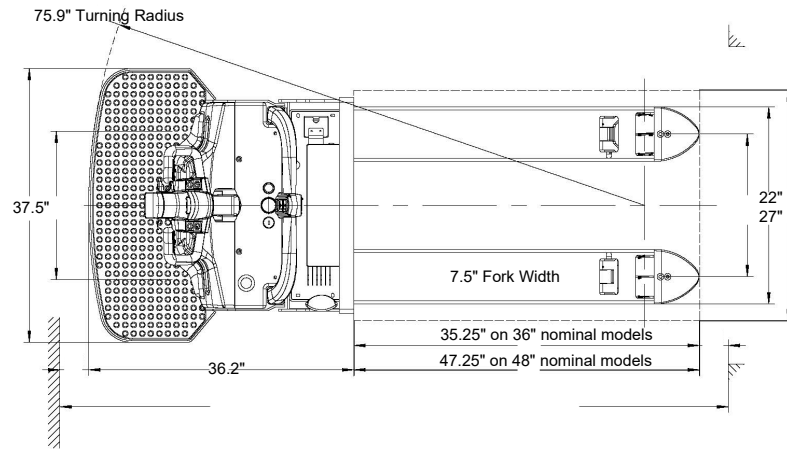
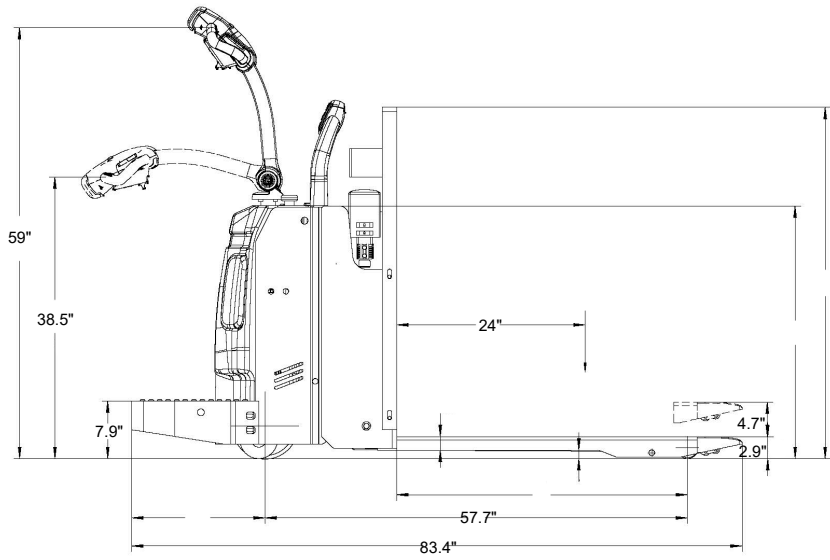
Heavy duty adjustable pull rods

ACCESSIBILITY

Heavy duty composite single piece cover exposes major components for inspection and maintenance.

OPTIONAL EQUIPMENT

- External 240/1/60 charger
- 48" or 60" high load backrest
- Traction drive tire
- Compact rider platform
- Tool tray
- 27" and 22" nominal fork widths
- 48" and 36" nominal fork lengths



| | |
|------------------------------------|--------------|
| Gradeability | |
| Without Load | 16% |
| With Load | 6% |
| Travel Power Head First - Variable | |
| Empty: | 0 to 5.0 mph |
| Loaded: | 0 to 5.0 mph |
| Travel Forks First - Variable | |
| Empty: | 0 to 5.0 mph |
| Loaded: | 0 to 5.0 mph |
| Lowered Fork Height: | |
| Maximum Lift Height: | 3.0" |
| Extended Fork Height: | 4.7" |
| Platform Step Height: | 7.75" |
| Platform Step Height: | |
| 7.9" | |

ERGONOMIC OPERATOR'S HANDLE

All measurements shown are in standard "inch" units.

| Truck Model | Forks | Capacity | Actual Fork Width | Actual Fork Length | Overall Width | Overall Length | * Weight (lbs) |
|--|---------|----------|-------------------|--------------------|---------------|----------------|----------------|
| Fork Dimension: 27" or 22" Wide | | | | | | | |
| RPL44 | 22 x 36 | 4,400lbs | 22 | 35.25 | 37.5 | 72 | 1425 |
| RPL44 | 22 x 48 | 4,400lbs | 22 | 47.25 | 37.5 | 84 | 1450 |
| RPL44 | 27 x 36 | 4,400lbs | 27 | 35.25 | 37.5 | 72 | 1425 |
| RPL44 | 27 x 48 | 4,400lbs | 27 | 47.25 | 37.5 | 84 | 1450 |

* Estimated shipping weight with battery and charger