



**CAPACITY**

2200 lbs. @ 24" Load Center

**INTEGRAL BATTERY / CHARGER**

(2) 12V 85AH maintenance free batteries.

110V smart charger @15A

**SPEED**

**TRAVEL**

Variable from 0 mph to 3.1 mph empty  
Variable from 0 mph to 2.5 mph loaded

**LIFT**

Up to 39 fpm empty.  
Up to 20 fpm loaded

**LOWERING**

Up to 21 fpm empty  
Up to 21 fpm loaded

**TIRES / WHEELS**

**DRIVE**  
8.3" x 2.8" polyurethane

**STABILITY**  
4" x 2" polyurethane

**TANDEM LOAD**  
(2) 4" x 2" polyurethane

**HYDRAULICS**

Lift cylinder is hard chrome. Permanent magnet pump motor and chrome plated lift cylinder provides smooth lifting and lowering. Pump unit includes DC motor, solenoid, and gear pump.

**DRIVE**

24-Volt permanent magnet DC drive motor with rare earth neodymium magnets increases efficiency and duty cycle.

**ELECTRICAL**

**Curtis** travel control provides smooth step less travel. Quick disconnect EPD power cut off and battery discharge indicator are standard equipment.

**BRAKES**

Electro-magnetic disc brake.



**TILLER ARM CONTROLS**

Offset steering arm provides excellent line of sight for operators. Right angle stacking in aisles as narrow as 60".

Travel, lift, and lower functions are located in the ergonomic operator handle. All operator controls are accessible without having to lift the hand from the handle.

Angle grips are designed to allow easy operation with either hand. Wrap around guard, reversing switch, thumb control, and horn are standard. Low mounted tiller arm offers excellent operator comfort and minimum steering effort.

**FRAME AND MAST**

All steel construction welded rigid steel chassis for added durability. Adjustable forks on ITA style carriage. Forks are adjustable from 8" to 29.5" OD. Standard fork is 42" long x 4" wide x 1.5" thick

S22-62 non-telescoping mono mast with single lifting chain, adjustable mast rollers. Chrome plated lift cylinder provides smooth lift/lower operation and long life.

Three inch wide adjustable straddle legs for ease of operation in racked aisles. Four position adjustment allows for preset outrigger dimensions to fit various sized pallets. Straddle leg inside dimension (ID) can be set at 38" to 50" in 4" increments.

Fully enclosed wheel guard and flush mounted axles prevent wheel and axle damage during normal use.

**S22**

**Walkie Straddle Stacker**

**NARROW AISLE STACKER, GENERAL MATERIAL HANDLING, STACKING, WORK POSITIONING IN TIGHT AREAS. STEP-UP FROM MANUAL PUSH STACKER**



**SERVICEABILITY**

Removable one piece power head cover allows for easy maintenance.

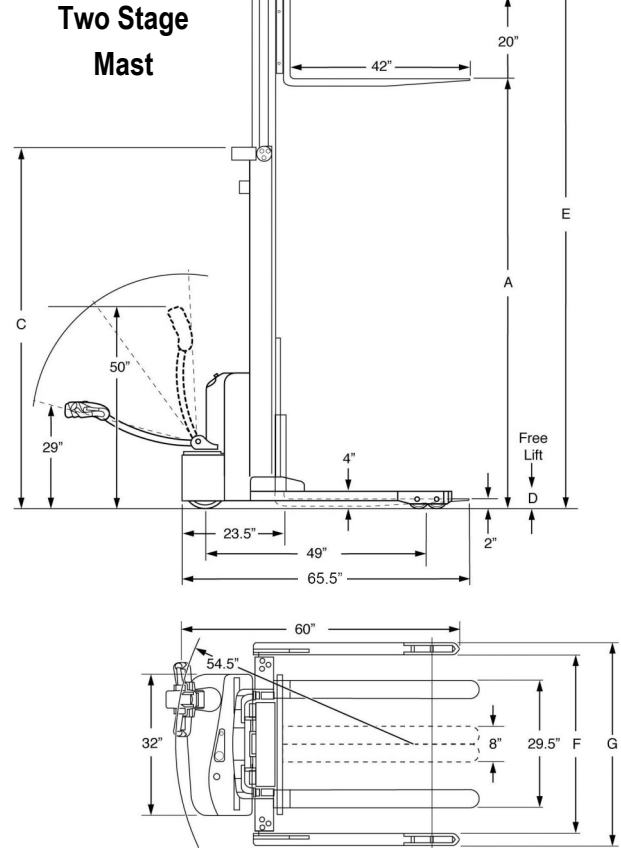
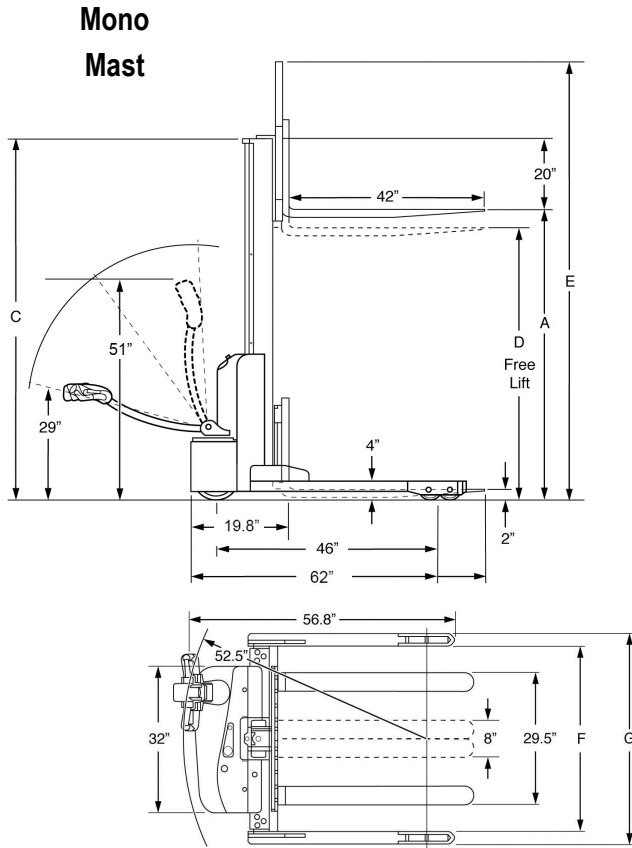
**OPTIONAL BATTERY UPGRADE**

- 85AH available on model S22-62
- Hand held remote lift & lower control box with 3' coiled cord



**TWO STAGE MAST**

S22-96/116 telescoping high visibility mast and inner rail, clear view Plexiglas mast guard, dual lifting chains, adjustable mast rollers. Chrome plated lift cylinder provides smooth lift/lower operation.

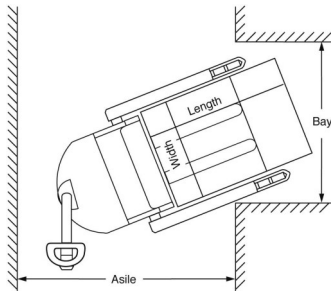


#### Aisle Guide

S22-62- Right Angle Stacking

| Load Width | Load Length |      |      |
|------------|-------------|------|------|
|            | 36"         | 40"  | 48"  |
| 36"        | 57.3        | 57.3 | 57.3 |
| 40"        | 57.5        | 58.6 | 58.6 |
| 48"        | 63          | 63   | 63   |

For ease of use add 8" to aisle dimension listed



Aisle dimensions listed above assume the minimum bay width to be straddle OD plus 5" (2.5" on each either side of straddle leg). Straddle OD is the load width plus 8". Truck performance may vary due to application requirements' and changes in model design.

Add 3.9" to aisle for models S22-96 and S22-116 with two stage telescopic masts.

| Model #   | Mast      | Lift Height | Col Height | Free Lift | Ext Height w/LBR | Adjustable Straddle Leg 4" Increments |          | <sup>3</sup> Weight Complete |
|---|-----------|-------------|------------|-----------|------------------|---------------------------------------|----------|------------------------------|
|   |           | A           | C          |           |                  | ID                                    | OD       |                              |
| <b>2200 Capacity @ 24" Load Center ITA Class II Fork Carriage</b> |           |             |            |           |                  |                                       |          |                              |
| S22-62  | Mono      | 62          | 76.5       | 56        | 98.25            | 38 to 50                              | 44 to 56 | 1200                         |
| S22-96  | Two Stage | 96          | 72.5       | 0         | 132.0            | 38 to 50                              | 44 to 56 | 1450                         |
| S22-116   | Two Stage | 116         | 82.5       | 0         | 152.0            | 38 to 50                              | 44 to 56 | 1500                         |

<sup>3</sup> Complete weight includes truck, battery and charger